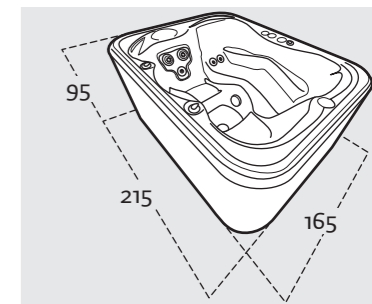


Atlantis

215 x 165 x 75



dimenzije: 215 x 165
dimensions

maksimalni kapacitet: 850l
maximum capacity



1 2 3 4 5 6 7 8 9 10

- | | |
|---------------------------------|-------------------------------|
| 1. Elektronski komandni displej | 1. Electronic command display |
| 2. "Multiport" roto mlaznica | 2. Multiport spinning jet |
| 3. Mlaznice za stopala | 3. Directional feet jet |
| 4. Skimer | 4. Skimmer |
| 5. Vazдушna mlaznica | 5. Air jet |
| 6. Usis | 6. Suction |
| 7. Odvod/dovod vode | 7. Drain/water supply |
| 8. Regulator vazduha | 8. Airflow regulator |
| 9. Direktna mikro mlaznica | 9. Directional micro jet |
| 10. "Master" jet | 10. Master jet |

Atlantis 215 x 165 x 75

Funkcije		Functions
Vodne mlaznice	13	Whirlpool jets
Regulator vazduha svakog mesta posebno	3	Separate airflow regulators for each seat
Broj sedećih mesta	2	Number of seats
Broj ležećih mesta	1	Number of lounges
Vazдушne mlaznice	16	Air jets
Elektronske kontrol panel	.	Electronic display
Hromoterapija	.	Chromotherapy
Ozonoterapija	.	Ozonator
Kartuša filter	.	Cartridge filter
Skimer	.	Skimmer
Grejač	3kW	Heater
Oplata i stepenice	°	Panelling and steps
Termo pokrivka	°	Protective cover
Tretman vode		Water treatment
Filtracija koristeći skimer i kartuša filter		Filtration with the skimmer and cartridge filter
Dezinfekcija pomoću ozonizatora		Disinfection with ozonator
Manuelna kontrola Ph i hlora		Manual control for Ph and chlorine

- uključeno / included
° opcionalno / optional